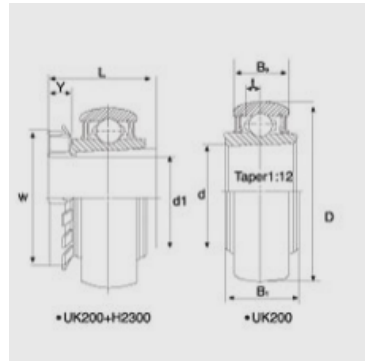


UK200 Series



select	Inquiry	Bearing No.	d1		Dimensions [mm]								Basic Load Rating (kN)	
			(in.)	(mm)	D	L	d	Bi	Be	T	Y	W	Dynamic	Static
UK205+H2305		20	52	35	25	25	17	4.2	8	38	1400	750		
UK205+HE2305	3/4	20	52	35	25	25	17	4.2	8	38	1400	750		
UK206+H2306		25	62	38	30	28	19	5.2	8	45	1900	1100		
UK206+HS2306	7/8	25	62	38	30	28	19	5.2	8	45	1900	1100		
UK207+H2307		30	72	43	35	30	20	5.6	9	52	2550	1500		
UK207+HS2307	1 1/8	30	72	43	35	30	20	5.6	9	52	2550	1500		
UK208+H2308		35	80	46	40	31	21	6.2	10	58	2950	1800		
UK208+HE2308	1 1/4	35	80	46	40	31	21	6.2	10	58	2950	1800		
UK209+H2309		40	85	50	45	33	22	6.3	11	65	3180	2050		
UK209+HA2309	1 7/16	40	85	50	45	33	22	6.3	11	65	3180	2050		
UK210+H2310		45	90	55	50	35	24	6.5	12	70	3500	2300		
UK210+HA2310	1 11/16	45	90	55	50	35	24	6.5	12	70	3500	2300		
UK211+H2311		50	100	59	55	37	25	7	12	75	4350	2900		
UK211+HS2311	1 7/8	50	100	59	55	37	25	7	12	75	4350	2900		
UK212+H2312		55	110	62	60	39	27	7	13	80	4750	3250		
UK212+HA2312	2 1/16	55	110	62	60	39	27	7	13	80	4750	3250		
UK213+H2313		60	120	65	65	40	28	8.5	14	85	5700	4000		
UK213+HA2313	2 3/16	60	120	65	65	40	28	8.5	14	85	5700	4000		
UK215+H2315		65	130	73	75	45	30	9.2	15	98	6600	4950		
UK215+HE2315	2 1/2	65	130	73	75	45	30	9.2	15	98	6600	4950		
UK216+H2316		70	140	78	80	48	33	9.6	17	105	7150	5400		

UK200 Series

UK216+HE2316	2 3/4	70	140	78	80	48	33	9.6	17	105	7150	5400
UK217+H2317		75	150	82	85	50	35	10.5	18	110	8300	6350
UK217+HE2317	3	75	150	82	85	50	35	10.5	18	110	8300	6350
UK218+H2318		80	160	66	90	52	37	11.1	18	120	9500	7100
UK218+HS2318	3 1/8	80	160	66	90	52	37	11.1	18	120	9500	7100