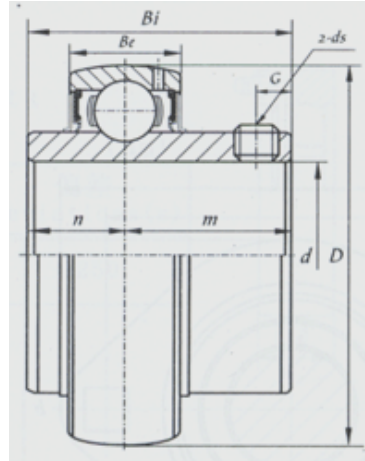


## UC300 Series



select	Inquiry Bearing No.		d		Dimensions [mm]					G ds
			(mm)	(in.)	D	Bi	Be	n	m	
UC328	140		300	145	72	59	86	20	M20x1.5	
UC324	120		260	126	64	51	75	20	M18x1.5	
UC326	130		280	135	68	54	81	20	M20x1.5	
UC322	110		240	117	60	46	71	20	M18x1.5	
UC320-64	101.6	4	215	108	54	42	66	18	5/8-18UNF	
UC320	100		215	108	54	42	66	18	M18x1.5	
UC318	90		190	96	48	40	56	16	M16x1.5	
UC319	95		200	103	50	41	62	16	M16x1.5	
UC318-56	88.9	3.5	190	96	48	40	56	16	5/8-18UNF	
UC317	85		180	96	46	40	56	16	M16x1.5	
UC317-52	82.55	3.25	180	96	46	40	56	16	5/8-18UNF	
UC316-50	79.375	3 1/8	170	86	44	34	52	14	9/16-18UNF	
UC316	80		170	86	44	34	52	14	M14x1.5	
UC315-48	76.2	3	160	82	42	32	50	14	9/16-18UNF	
UC314	70		150	78	40	33	45	12	M12x1.5	
UC315	75		160	82	42	32	50	14	M14x1.5	
UC314-44	69.85	2.75	150	78	40	33	45	12	1/2-20UNF	
UC313-40	63.5	2 1/2	140	75	38	30	45	12	1/2-20UNF	
UC313	65		140	75	38	30	45	12	M12x1.5	

UC300 Series

UC312-38	60.325	2 3/8	130	71	36	26	45	12	1/2-20UNF
UC312-39	61.913	2 7/16	130	71	36	26	45	12	1/2-20UNF
UC312	60		130	71	36	26	45	12	M12x1.5
UC311	55		120	66	34	25	41	12	M12x1.5
UC311-35	55.563	2.1875	120	66	34	25	41	12	1/2-20UNF
UC312-36	57.15	2 1/4	130	71	36	26	45	12	1/2-20UNF
UC310	50		110	61	32	22	39	12	M12x1.5
UC311-32	50.8	2	120	66	34	25	41	12	1/2-20UNF
UC311-34	53.975	2.125	120	66	34	25	41	12	1/2-20UNF
UC310-30	47.625	1.875	110	61	32	22	39	12	1/2-20UNF
UC310-31	49.213	1.9375	110	61	32	22	39	12	1/2-20UNF