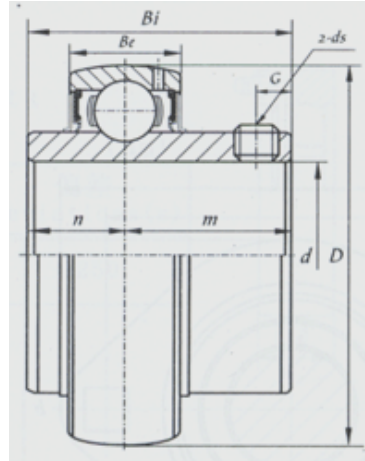


## UC200 Series



select	Inquiry Bearing No.	d		Dimensions [mm]						G ds
		(mm)	(in.)	D	Bi	Be	n	m		
UCW201	12		40	27.4	14	11.5	15.9	4	M5x0.8	
UCW202	15		40	27.4	14	11.5	15.9	4	M5x0.8	
UCW203	17		40	27.4	14	11.5	15.9	4	M5x0.8	
UC201	12		47	31	17	12.7	18.3	5	M6x1.0	
UC201-8	12.7	0.5	47	31	17	12.7	18.3	5	1/4-28UNF	
UC202	15		47	31	17	12.7	18.3	5	M6x1.0	
UC202-10	15.875	0.625	47	31	17	12.7	18.3	5	1/4-28UNF	
UC203	17		47	31	17	12.7	18.3	5	M6x1.0	
UC203-11	17.463	0.6875	47	31	17	12.7	18.3	5	1/4-28UNF	
UC204-12	19.05	0.75	47	31	17	12.7	18.3	5	1/4-28UNF	
UC204	20		47	31	17	12.7	18.3	5	M6x1.0	
UC205-14	22.225	0.875	52	34	17	14.3	19.7	5.5	1/4-28UNF	
UC205-15	23.813	15/16	52	34	17	14.3	19.7	5.5	1/4-28UNF	
UC205	25		52	34	17	14.3	19.7	5.5	M6x1.0	
UC205-16	25.4	1	52	34	17	14.3	19.7	5.5	1/4-28UNF	
UC206-18	28.575	1.125	62	38.1	19	15.9	22.2	5.5	1/4-28UNF	
UC206	30		62	38.1	19	15.9	22.2	5.5	M6x1.0	
UC206-19	30.163	1.1875	62	38.1	19	15.9	22.2	5.5	1/4-28UNF	
UC206-20	31.75	1.25	62	38.1	19	15.9	22.2	5.5	1/4-28UNF	

UC200 Series

UC207-20	31.75	1.25	72	42.9	20	17.5	25.4	6.5	5/16-24UNF
UC207-21	33.338	1.3125	72	42.9	20	17.5	25.4	6.5	5/16-24UNF
UC207-22	34.925	1.375	72	42.9	20	17.5	25.4	6.5	5/16-24UNF
UC207	35		72	42.9	20	17.5	25.4	6.5	M8x1.0
UC207-23	36.513	1.4375	72	42.9	20	17.5	25.4	6.5	5/16-24UNF
UC208-24	38.1	1.5	80	49.2	21	19	30.2	8	5/16-24UNF
UC208-25	39.688	1.5625	80	49.2	21	19	30.2	8	5/16-24UNF
UC208	40		80	49.2	21	19	30.2	8	M8x1.0
UC209-26	41.275	1.625	85	49.2	22	19	30.2	8	5/16-24UNF
UC209-27	42.863	1.6875	85	49.2	22	19	30.2	8	5/16-24UNF
UC209-28	44.45	1.75	85	49.2	22	19	30.2	8	5/16-24UNF