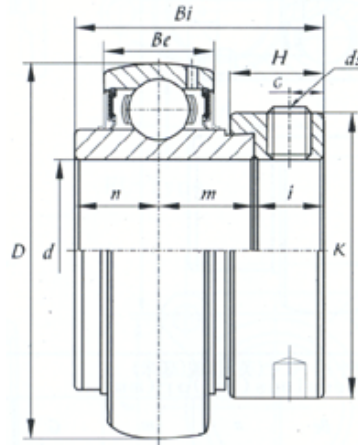


NA 系列



d

外形尺寸 [mm]

基本
额定
载荷
(kN)
动 静
态

select	Inquiry	型号	d		外形尺寸 [mm]										基本 额定 载荷 (kN) 动 静 态
			(mm)	(in.)	D	Be	Bi	B1	n	K	H	G	ds		
			120	28	85.7	68.6	34.1	86	23.5	8.5	3/8-24UNF	5700	4000		
			110	27	77.8	62	31	84.2	22.3	8	M10x1.25	4750	3250		
			110	27	77.8	62	31	84.2	22.3	8	3/8-24UNF	4750	3250		
			100	25	71.4	55.6	27.8	76.2	20.7	8	3/8-24UNF	4350	2900		
			100	25	71.4	55.6	27.8	76.2	20.7	8	M10x1.25	4350	2900		
			90	24	62.7	49.2	24.6	69.9	18.3	6.5	5/16-24UNF	3500	2300		
			100	25	71.4	55.6	27.8	76.2	20.7	8	3/8-24UNF	4350	2900		
			90	24	62.7	49.2	24.6	69.9	18.3	6.5	M8x1	3500	2300		
			85	22	56.3	42.8	21.4	63.5	18.3	6.5	5/16-24UNF	3180	2050		
			85	22	56.3	42.8	21.4	63.5	18.3	6.5	5/16-24UNF	3180	2050		
			90	24	62.7	49.2	24.6	69.9	18.3	6.5	5/16-24UNF	3500	2300		
			85	22	56.3	42.8	21.4	63.5	18.3	6.5	M8x1	3180	2050		
			85	22	56.3	42.8	21.4	63.5	18.3	6.5	5/16-24UNF	3180	2050		
			80	21	56.3	42.8	21.4	60.3	18.3	6.5	M8x1	2950	1800		
			72	20	51.1	37.6	18.8	55.6	17.5	6.5	M8x1	2550	1500		
			72	20	51.1	37.6	18.8	55.6	17.5	6.5	5/16-24UNF	2550	1500		
			80	21	56.3	42.8	21.4	60.3	18.3	6.5	5/16-24UNF	2950	1800		
			80	21	56.3	42.8	21.4	60.3	18.3	6.5	5/16-24UNF	2950	1800		

NA 系列

NA206-20	31.75	1 1/4	62	19	48.4	36.6	18.3	44.5	15.9	6	5/16-24UNF	1900	1100
NA207-20	31.75	1 1/4	72	20	51.1	37.6	18.8	55.6	17.5	6.5	5/16-24UNF	2550	1500
NA207-22	34.925	1 3/8	72	20	51.1	37.6	18.8	55.6	17.5	6.5	5/16-24UNF	2550	1500
NA206-19	30.163	1 3/16	62	19	48.4	36.6	18.3	44.5	15.9	6	5/16-24UNF	1900	1100
NA206	30		62	19	48.4	36.6	18.3	44.5	15.9	6	M8x1	1900	1100
NA205-15	23.813	15/16	52	17	44.4	35	17.5	38.1	13.5	5	1/4-28UNF	1400	750
NA205	25		52	17	44.4	35	17.5	38.1	13.5	5	M6x1	1400	750
NA205-16	25.4	1	52	17	44.4	35	17.5	38.1	13.5	5	1/4-28UNF	1400	750
NA206-18	28.575	1 1/8	62	19	48.4	36.6	18.3	44.5	15.9	6	5/16-24UNF	1900	1100
NA205-14	22.225	7/8	52	17	44.4	35	17.5	38.1	13.5	5	1/4-28UNF	1400	750
NA204	20		47	17	43.7	34.2	17.1	33.3	13.5	5	M6x1	1250	650
NA204-12	19.05	3/4	47	17	43.7	34.2	17.1	33.3	13.5	5	1/4-28UNF	1250	650